

# MAXI SAVER - IP67

60,000 hour long life inductive floodlight  
with instant restrike



In addition to standard colours this floodlight is available in a wide range of vibrant colour options including silver, yellow, green, blue, red, sandstone, pink, purple, clear polycarbonate and colour tinted versions.

Match a corporate image or colour co-ordinate any large lighting project. Applications include interior or exterior schemes including car showrooms and forecourts, theme parks, hotels, gardens, large retail complexes, offices and facade lighting. Colours are generated using top quality pure polycarbonate, guaranteed to stay crisp and bright without colour fade.

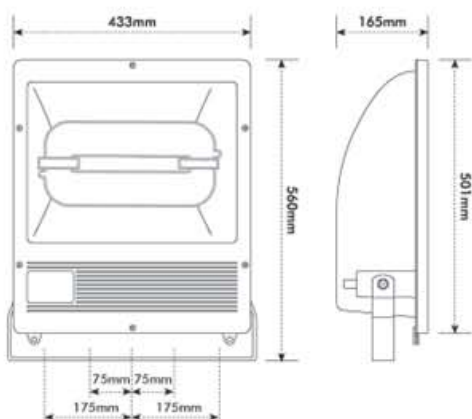
Available with built-in photocells, to order affix part No. with P/C.



## TECHNICAL SPECIFICATIONS

<b>ratings:</b>	IP67  CE  CLI To 25°C Max
<b>housing &amp; frame:</b>	flame retardant thermo-plastic polycarbonate
<b>diffusers:</b>	standard glass
<b>reflectors:</b>	anodised polished aluminium
<b>control gear:</b>	osram qt endura 100 - 150
<b>supply:</b>	hinged front cover opening
<b>equipment:</b>	corrosion and anti-seizure proof
<b>standards:</b>	compliance with en 60598 IP67
<b>colours:</b>	Silver, Yellow, Green, Blue, Red, Sandstone, Pink, Purple, Clear

### product pictographs



## SYMMETRIC REFLECTOR - SILVER POLYCARBONATE IP67

product description	part no.
endura 100w / 8000 lumen	ms100/8
endura 100w / 11000 lumen	ms100/11
100w lamp / 150w gear	



## ACCESSORIES

wire guard  
visor

louver

